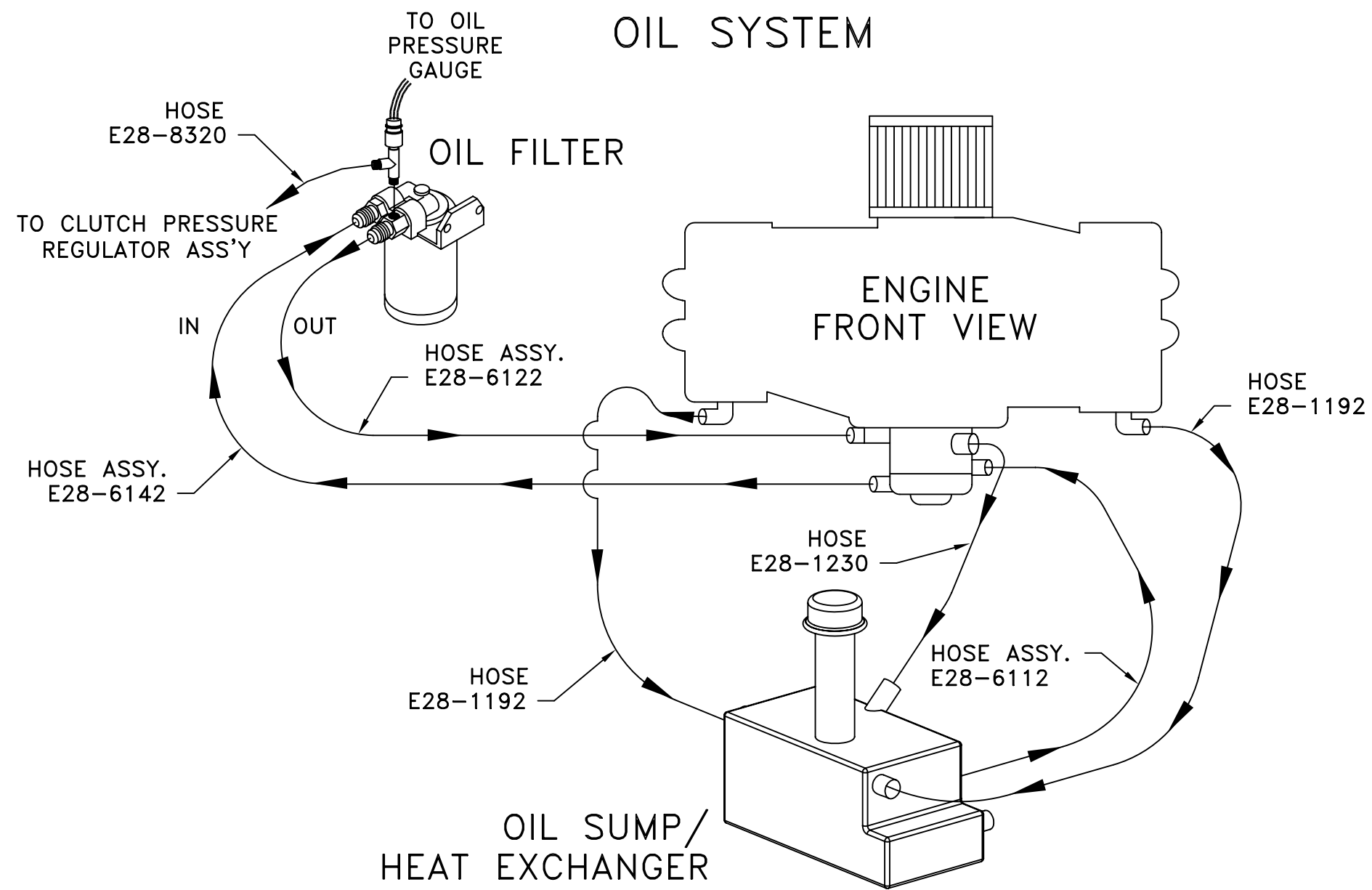
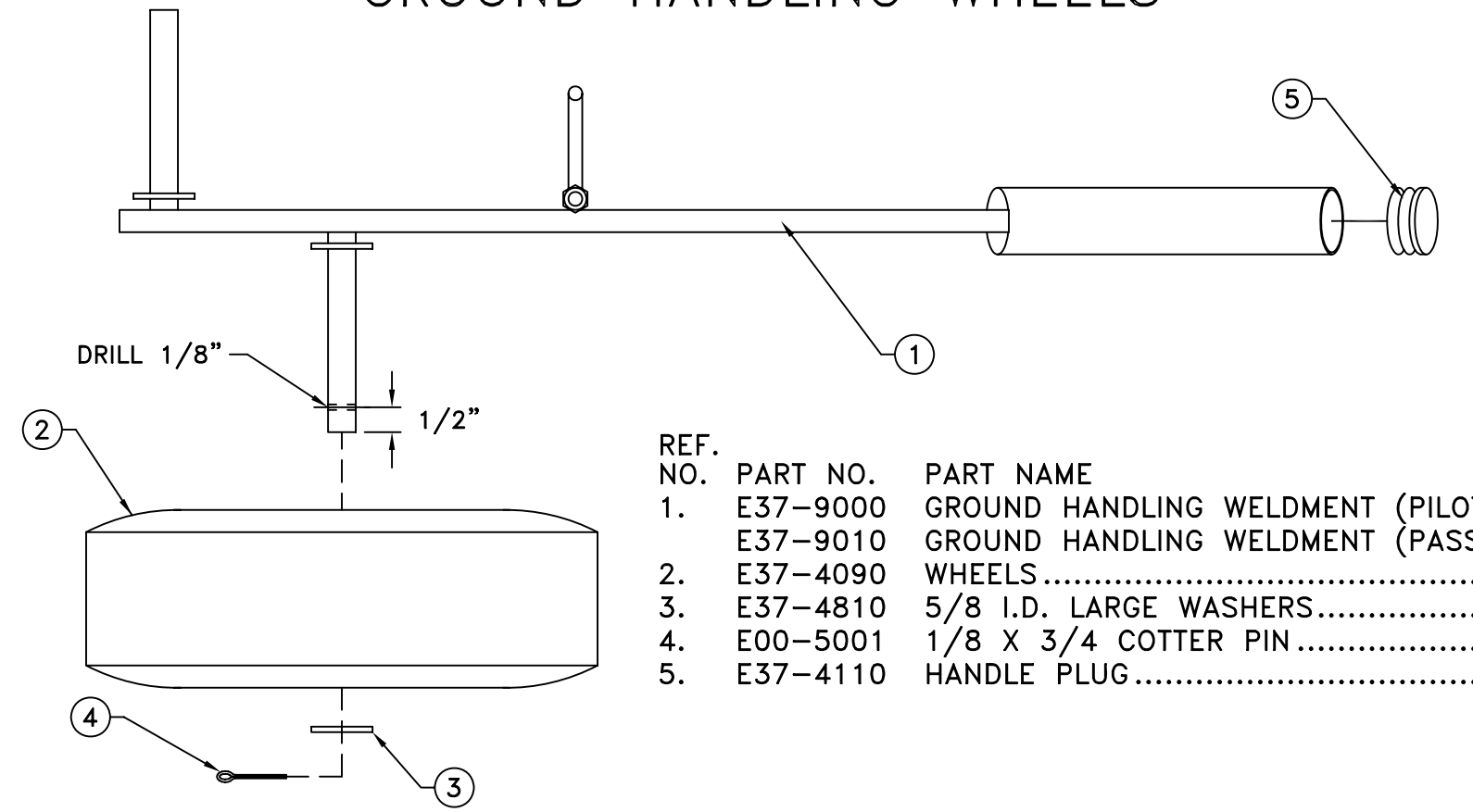


### OIL SYSTEM

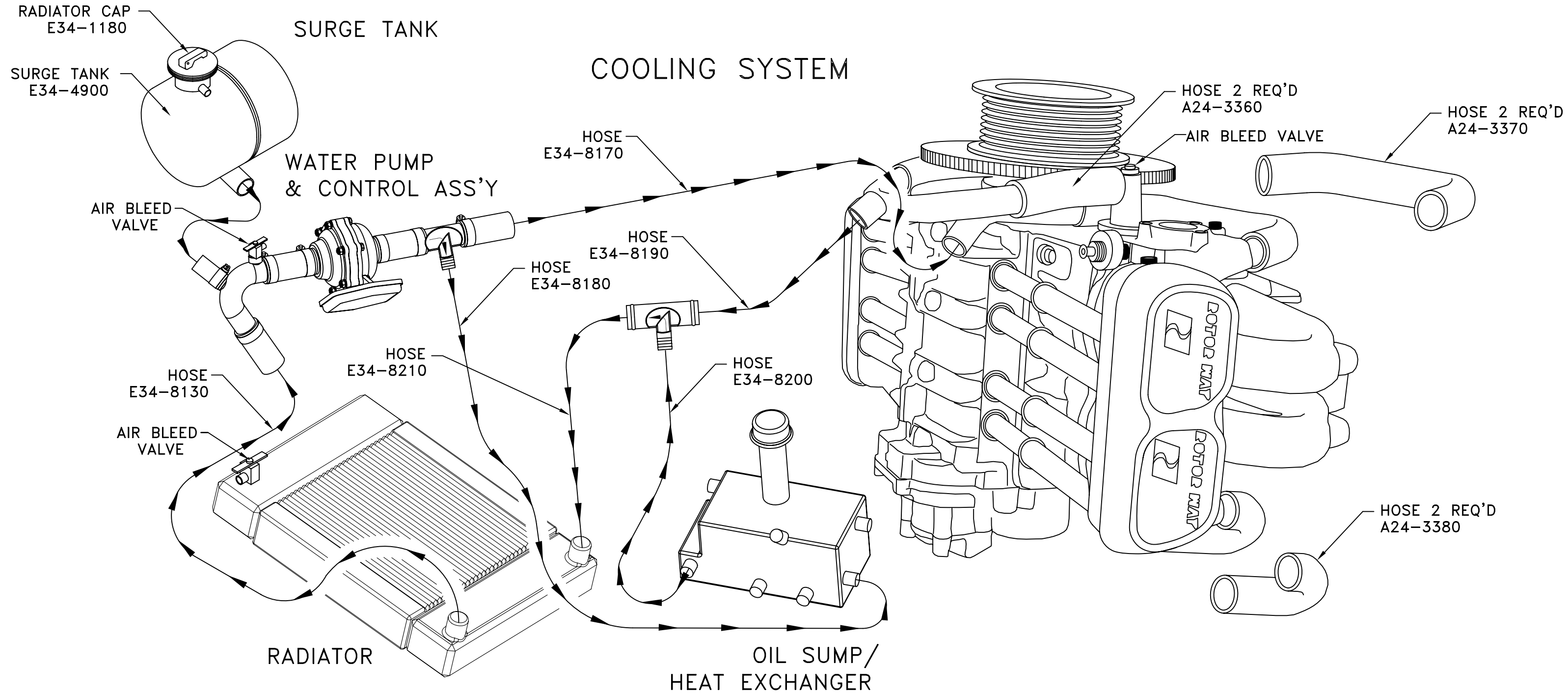


### GROUND HANDLING WHEELS



REF. NO.	PART NO.	PART NAME	QTY.
1.	E37-9000	GROUND HANDLING WELDMENT (PILOT) ...	1
	E37-9010	GROUND HANDLING WELDMENT (PASS) ...	1
2.	E37-4090	WHEELS.....	2
3.	E37-4810	5/8 I.D. LARGE WASHERS.....	2
4.	E00-5001	1/8 X 3/4 COTTER PIN.....	2
5.	E37-4110	HANDLE PLUG.....	2

### COOLING SYSTEM



ROTORWAY INTERNATIONAL CHANDLER, ARIZONA			
SCALE: NONE	APPROVED BY:	DRAWN BY: RMR	
DATE: 3-3-08		REVISED: 5-27-08	
GROUND HANDLING WHEELS, OIL SYSTEM, COOLING SYSTEM			
MODEL: A600 TALON	DRAWING NUMBER: E37-2000		